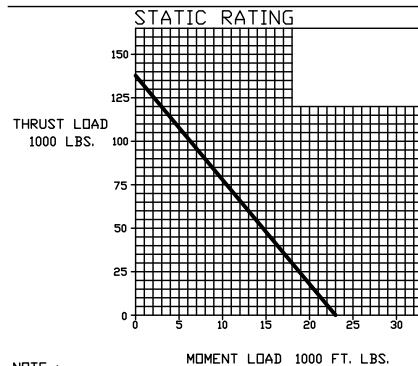
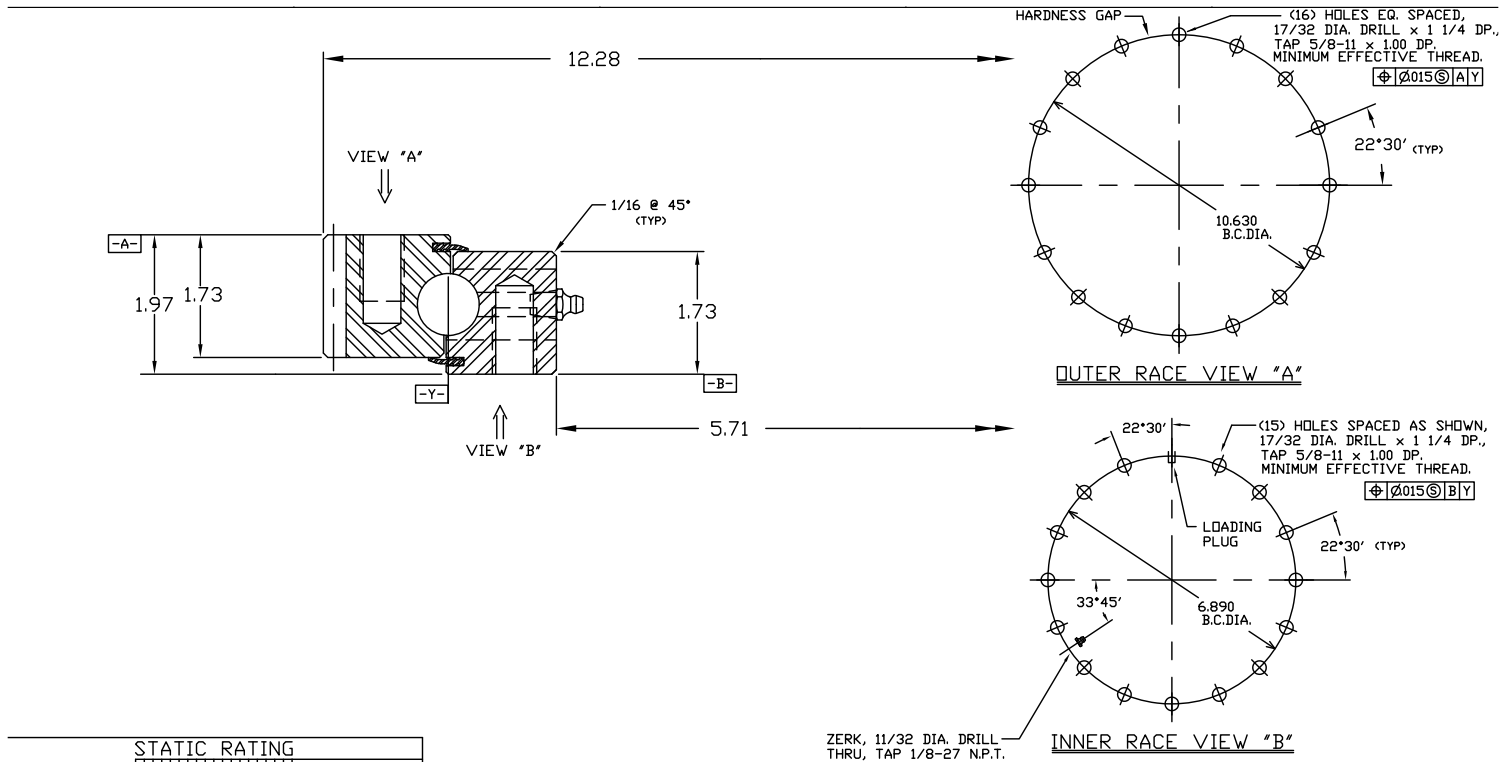
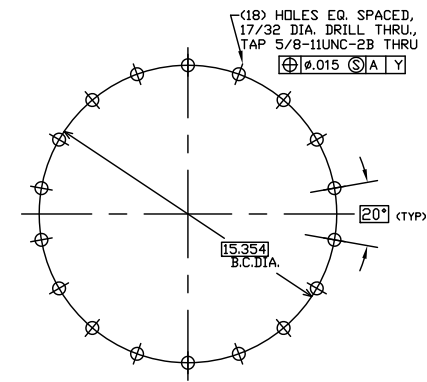
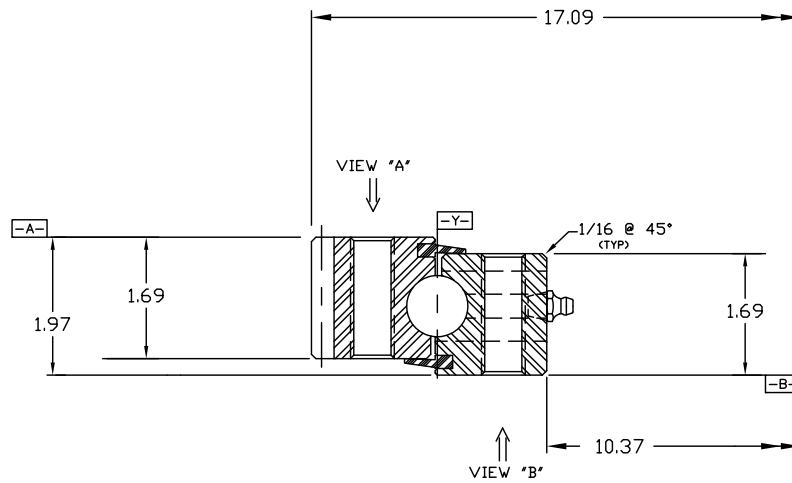


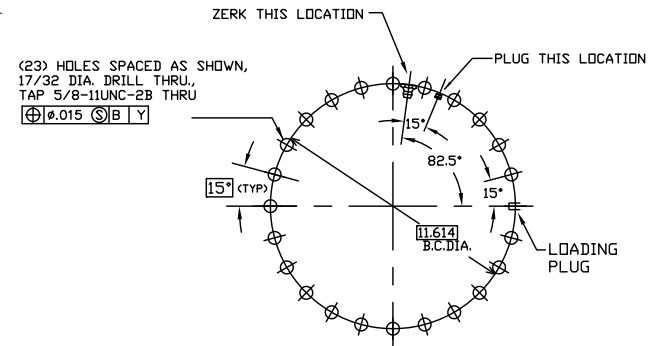
EXTERNAL GEAR TEETH



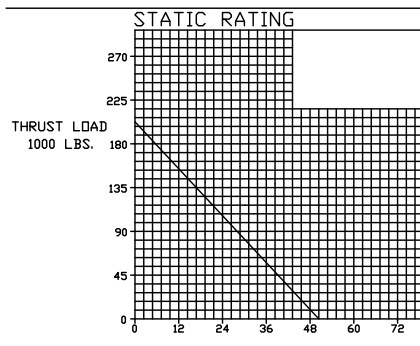
GEAR DATA			
5/7	D.P.	.1429	ADDENDUM
60	# TEETH	.1786	DEDENDUM
12.000	P.D.	.0000/.0075	BACKLASH
20	P.A.	[277/311 Bhn]	HARDNESS
4.006/3.998 SPAN OVER 7 TEETH			



OUTER RACE VIEW "A"



INNER RACE VIEW "B"



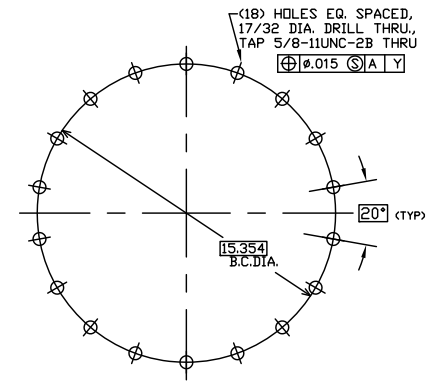
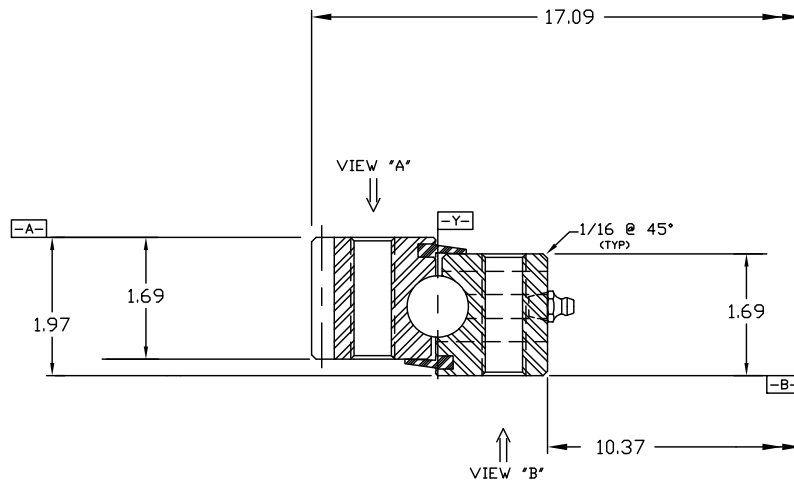
NOTE :

1) LOADING POINTS ON OR BELOW THE LINE ARE WITHIN THE RATING.

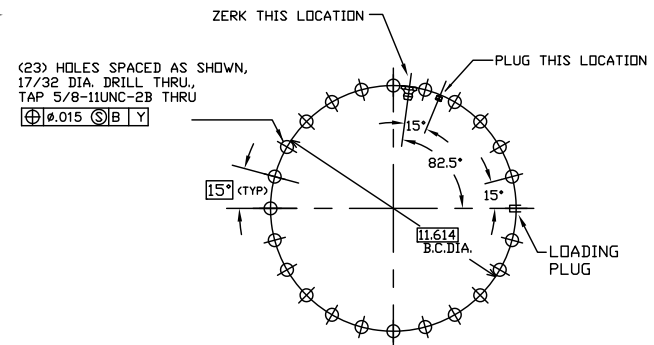
2) RADIAL LOADS OF LESS THAN 5% OF THE THRUST LOADING CAN BE IGNORED.

GEAR DATA			
5/7	D.P.	.1428	ADDENDUM
84	# TEETH	.1785	DEDENDUM
16.800	P.D.	-.002/+0.002	BACKLASH
20	P.A.	262-302 Bhn	HARDNESS
5.846/5.842 SPAN OVER 10 TEETH			

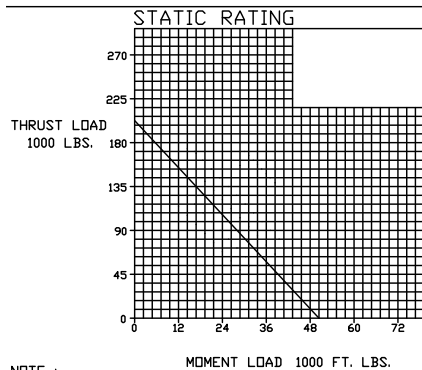
SRB-E16.6-1.00-101T5/7



OUTER RACE VIEW "A"



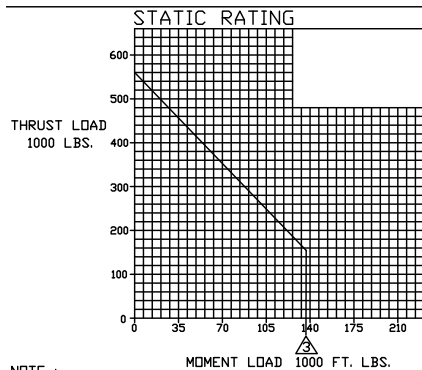
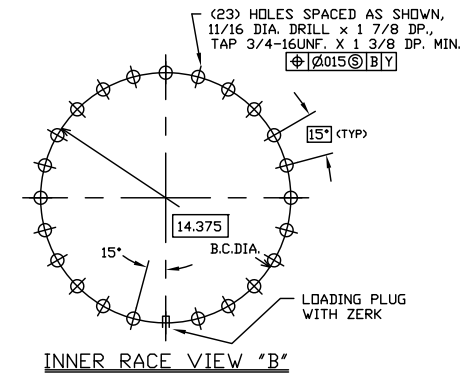
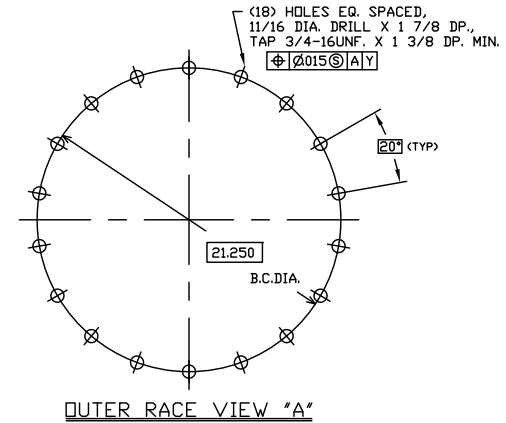
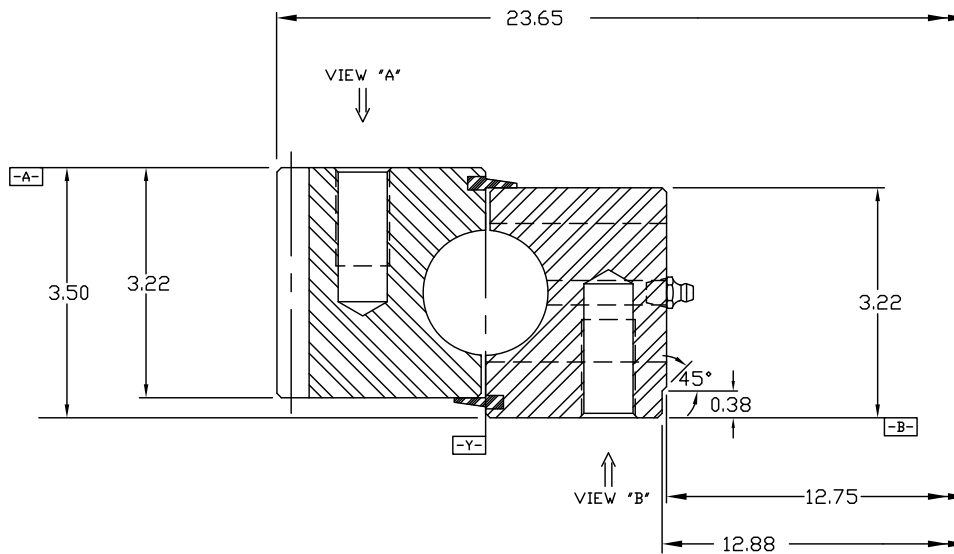
INNER RACE VIEW "B"



NOTE:
1) LOADING POINTS ON OR BELOW THE LINE ARE WITHIN THE RATING.
2) RADIAL LOADS OF LESS THAN 5% OF THE THRUST LOADING CAN BE IGNORED.

GEAR DATA			
5/7	D.P.	.1428	ADDENDUM
84	# TEETH	.1785	DEDENDUM
16.800	P.D.	-.002/+0.002	BACKLASH
20	P.A.	262-302 Bhn	HARDNESS
5.846/5.842 SPAN OVER 10 TEETH			

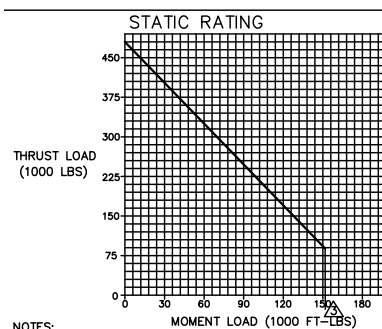
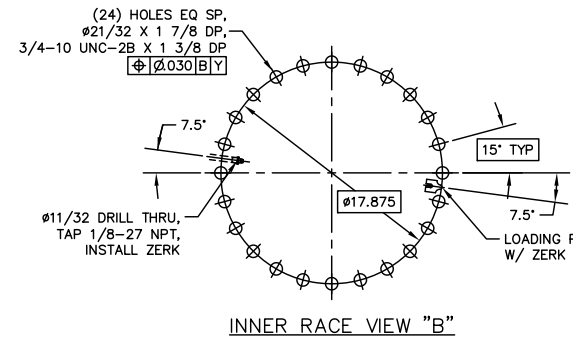
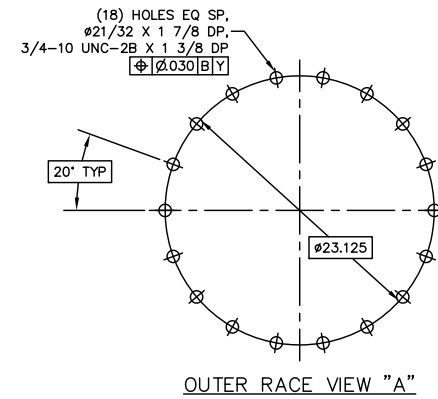
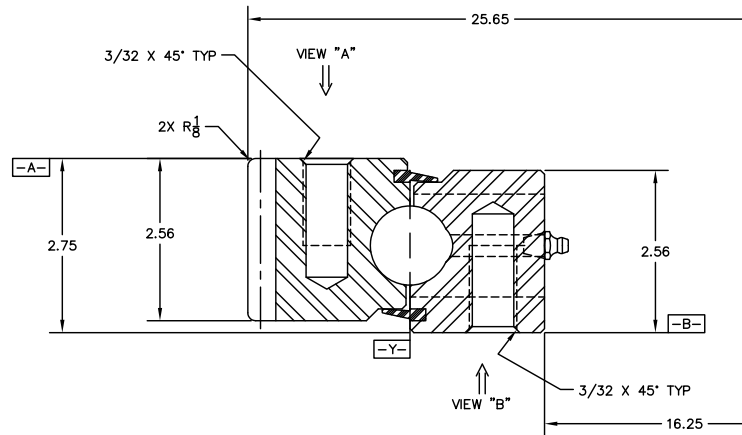
SRB-E17.8-1.75-093T4/5



NOTE:
1) LOADING POINTS ON OR BELOW THE LINE ARE WITHIN THE RATING.
2) RADIAL LOADS OF LESS THAN 5% OF THE THRUST LOADING CAN BE IGNORED.

GEAR DATA				
4	STUB	D.P.	.2000	ADDENDUM
93	# TEETH	.2500		DEDENDUM
23.250	P.D.	.013/.021		BACKLASH
20	P.A.	262/302 Bhn		HARDNESS
SPAN 8.062/8.054 OVER 11 TEETH				

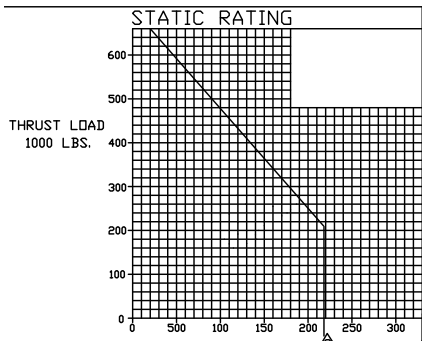
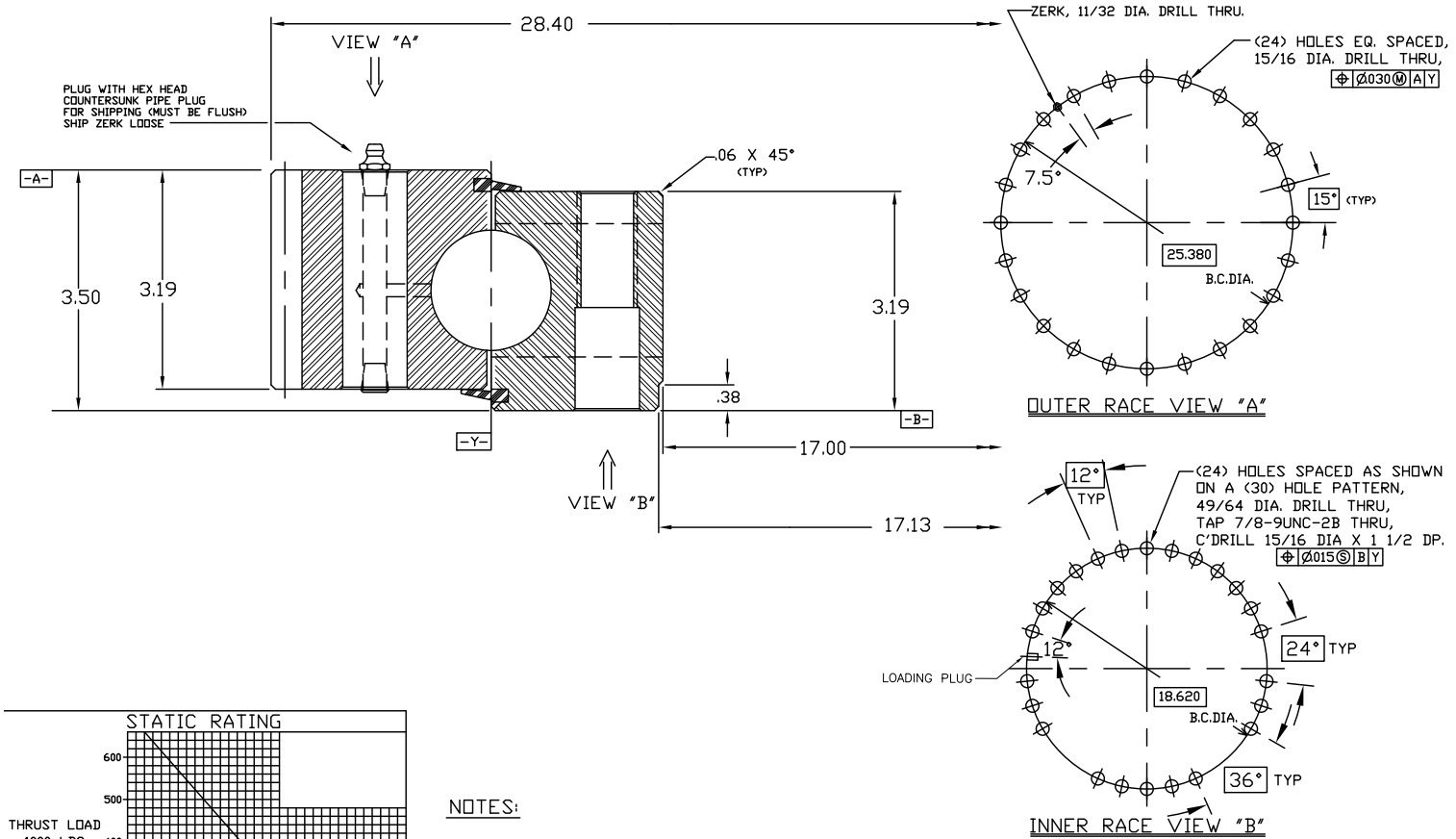
SRB-E20.5-1.25-101T4/5



NOTES:
1. LOADING POINTS ON OR BELOW THE LINE ARE WITHIN THE RATING.
2. RADIAL LOADS OF LESS THAN 5% OF THE THRUST LOADING MAY BE IGNORED.

GEAR DATA			
4/5	D.P.	:2000	ADDENDUM
101	# TEETH	:2500	DEDENDUM
25.25	P.D.	0.000/0.006	BACKLASH
20°	P.A.	262/302 Bhn	HARDNESS
SPAN 8.841/8.836 OVER 12 TEETH			

SRB-E22.0-1.75-112T4/5

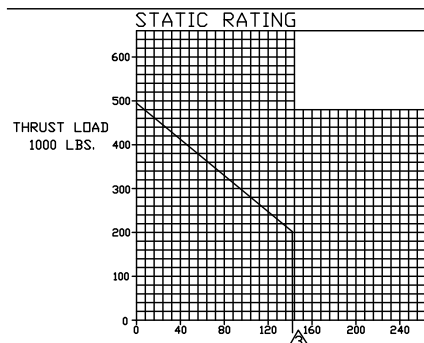
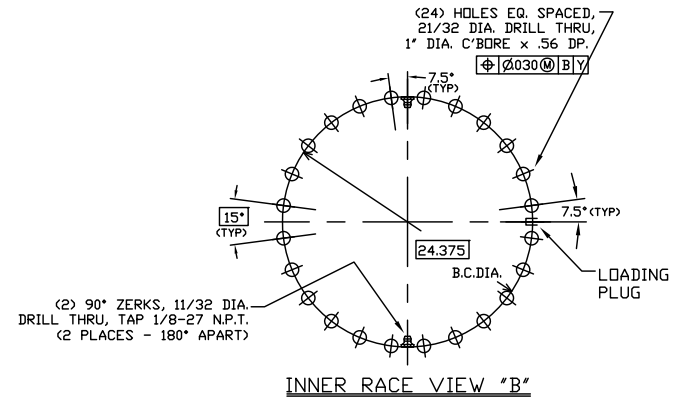
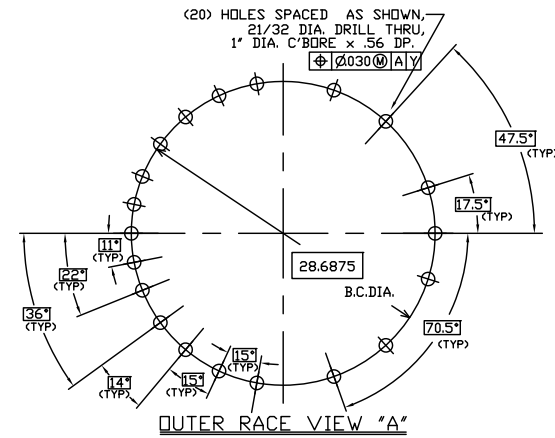
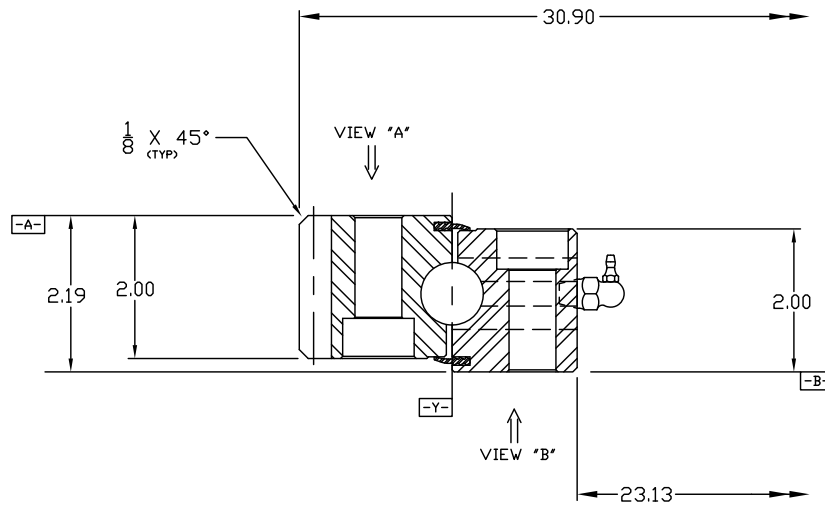


NOTES:

NOTE:
1) LOADING POINTS ON OR BELOW THE LINE ARE WITHIN THE RATING.
2) RADIAL LOADS OF LESS THAN 5% OF THE THRUST LOADING CAN BE IGNORED.

GEAR DATA				
4	STUB	D.P.	.2000	ADDENDUM
112	# TEETH	.2500		DEDENDUM
28.000	P.D.	.014/.022		BACKLASH
20	P.A.	262/302 Bhn		HARDNESS
SPAN 9.603/9.595 OVER 13 TEETH				

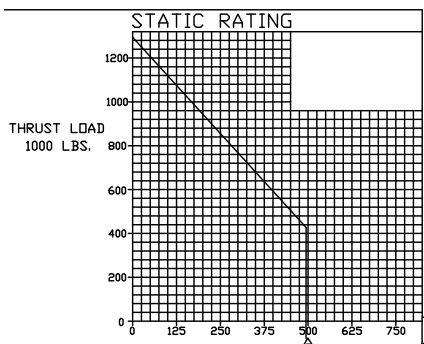
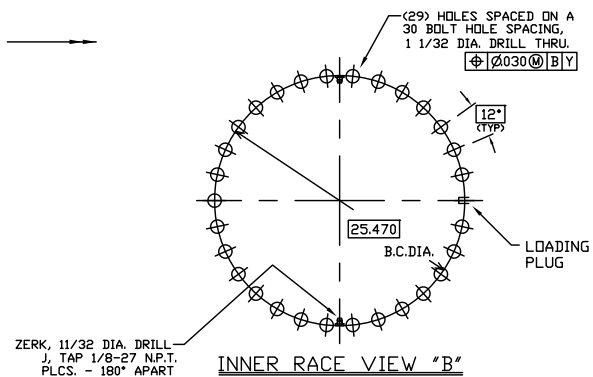
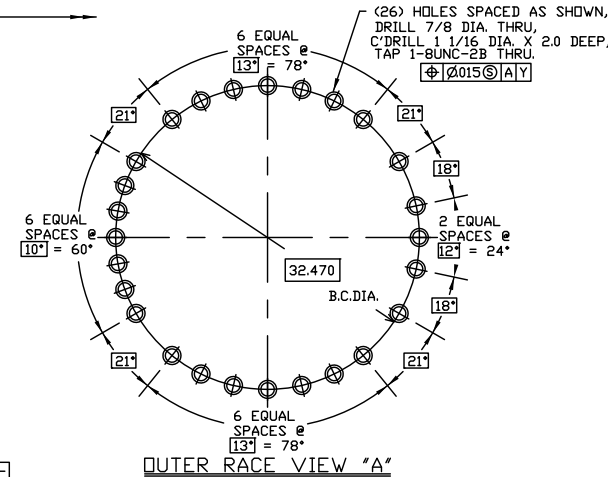
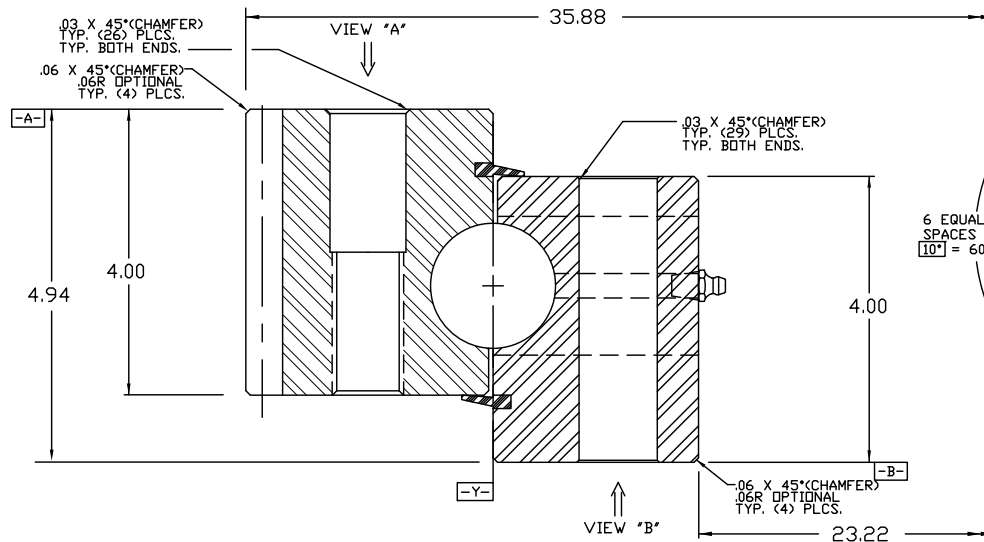
SRB-E26.6-0.88-122T4/5



NOTE:
1) LOADING POINTS ON OR BELOW THE LINE ARE WITHIN THE RATING.
2) RADIAL LOADS OF LESS THAN 5% OF THE THRUST LOADING CAN BE IGNORED.

GEAR DATA			
4/5	D.P.	1.2000	ADDENDUM
122	# TEETH	1.2500	DEDENDUM
30.500	P.D.	.000/.005	BACKLASH
20	P.A.	262/302 Bhn	HARDNESS
SPAN 10.391/10.386 OVER 14 TEETH			

SRB-E29.0-1.75-124T3.5S

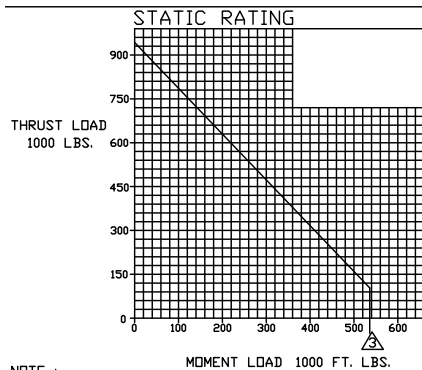
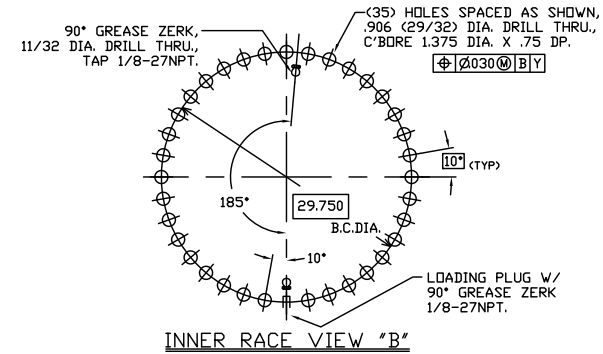
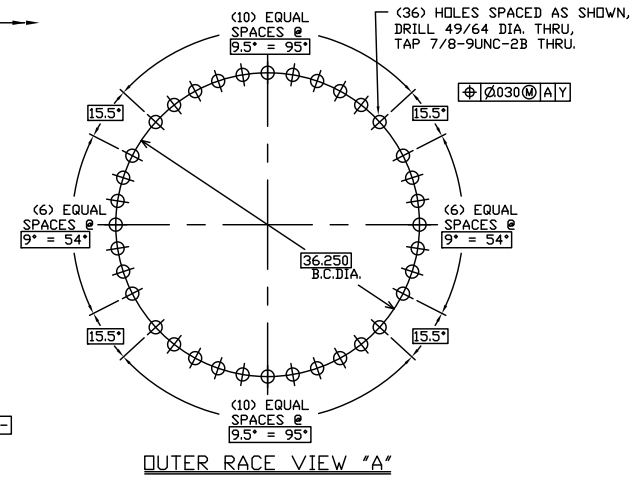
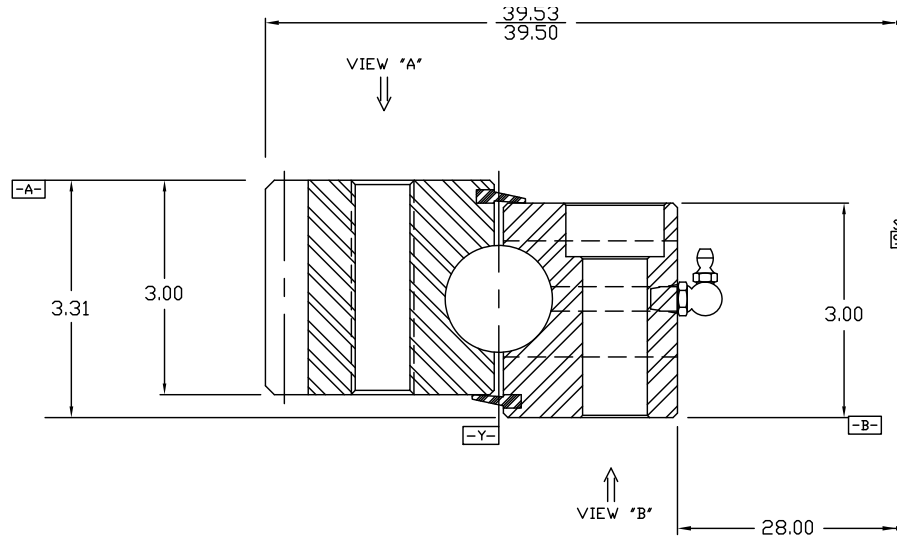


NOTES:

NOTE:
 1) LOADING POINTS ON OR BELOW THE LINE ARE WITHIN THE RATING.
 2) RADIAL LOADS OF LESS THAN 5% OF THE THRUST LOADING CAN BE IGNORED.

GEAR DATA			
3.5 STUB	D.P.	1.2286	ADDENDUM
124	# TEETH	1.2857	DEDENDUM
35.429	P.D.	.009/.014	BACKLASH
20	P.A.	262/302 Bhn	HARDNESS
14.485/14.480 SPAN OVER 17 TEETH			

SRB-E33.0-1.50-117T3S



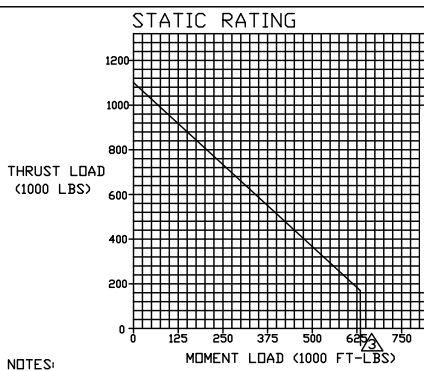
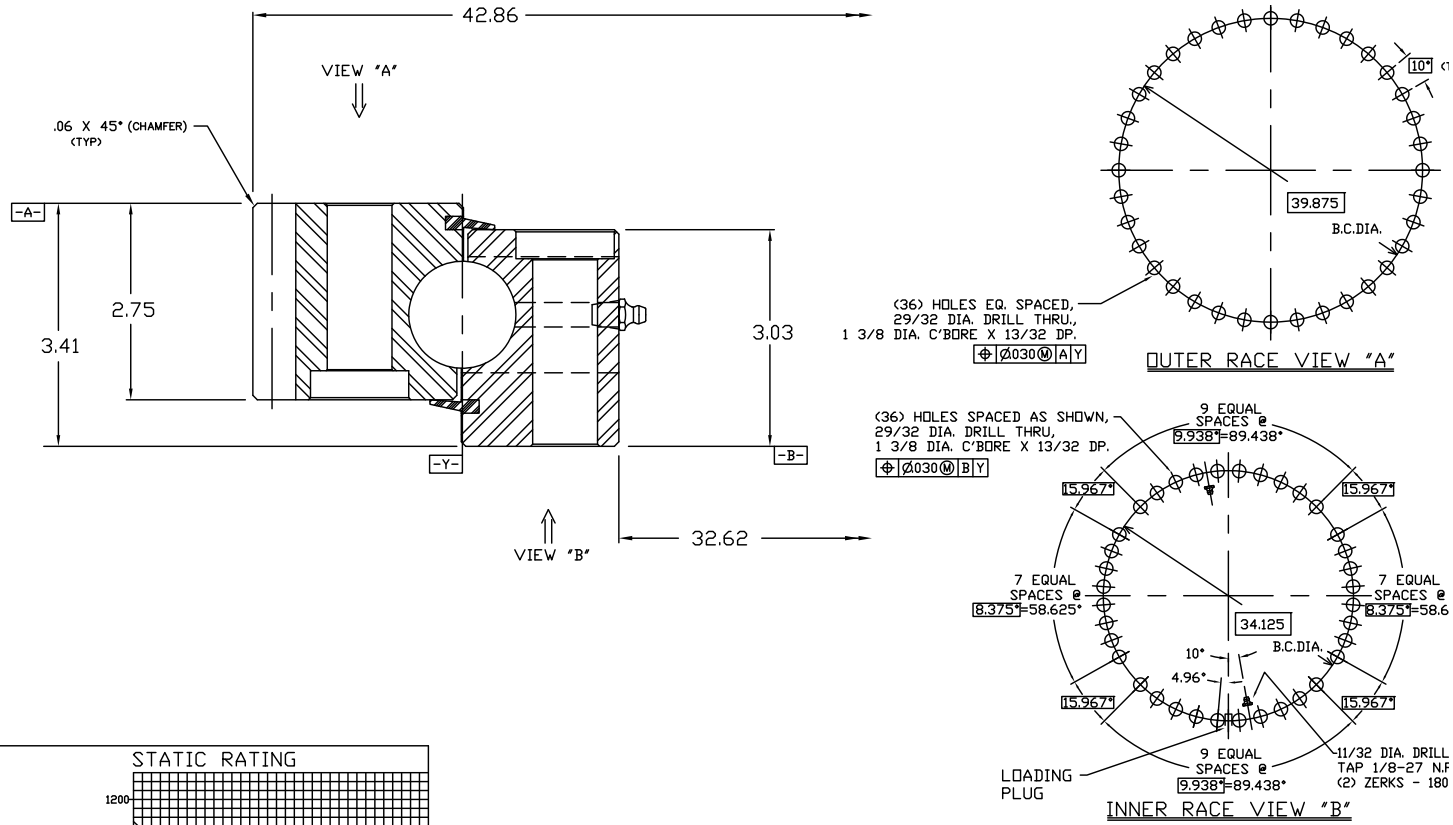
NOTES:

NOTE:

- LOADING POINTS ON OR BELOW THE LINE ARE WITHIN THE RATING.
- RADIAL LOADS OF LESS THAN 5% OF THE THRUST LOADING CAN BE IGNORED.

GEAR DATA			
3 STUB	D.P.	1.2667	ADDENDUM
117	# TEETH	.3333	DEDENDUM
39.000	P.D.	.016/.024	BACKLASH
20	P.A.	262/302 Bhr	HARDNESS
SPAN 13.807/13.815 OVER 14 TEETH			

SRB-E37.0-1.50-126T3S

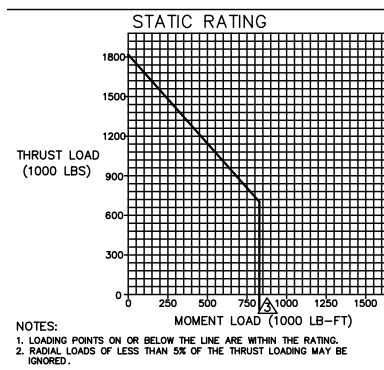
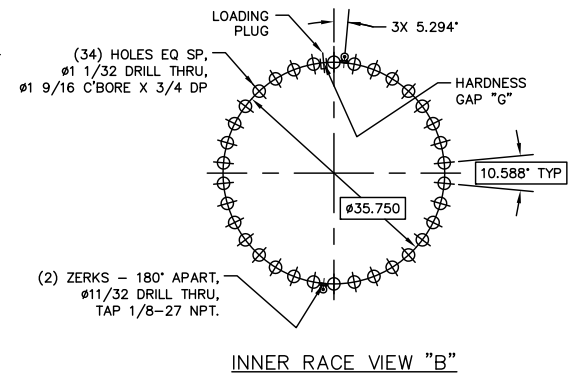
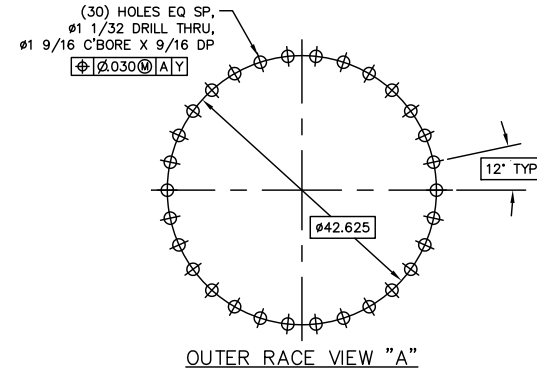
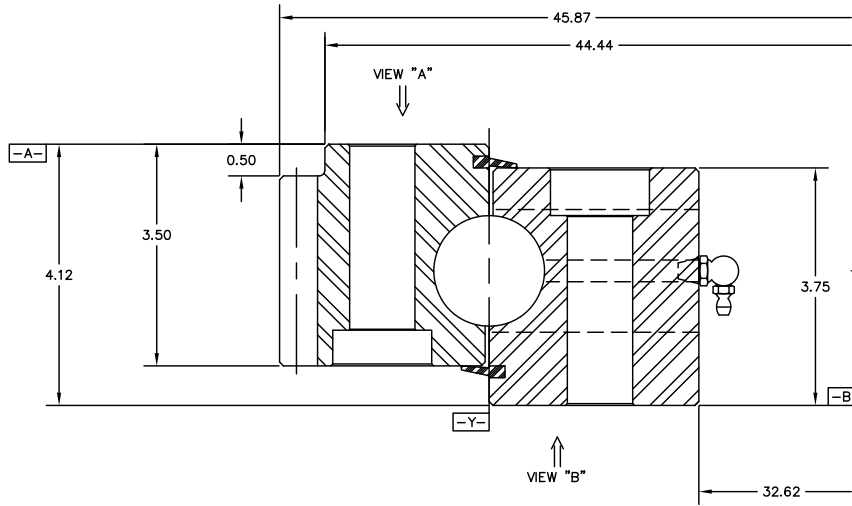


NOTES:

NOTES:
1. LOADING POINTS ON OR BELOW THE LINE ARE WITHIN THE RATING.
2. RADIAL LOADS OF LESS THAN 5% OF THE THRUST LOADING MAY BE IGNORED.

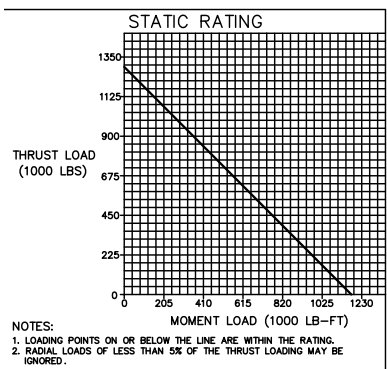
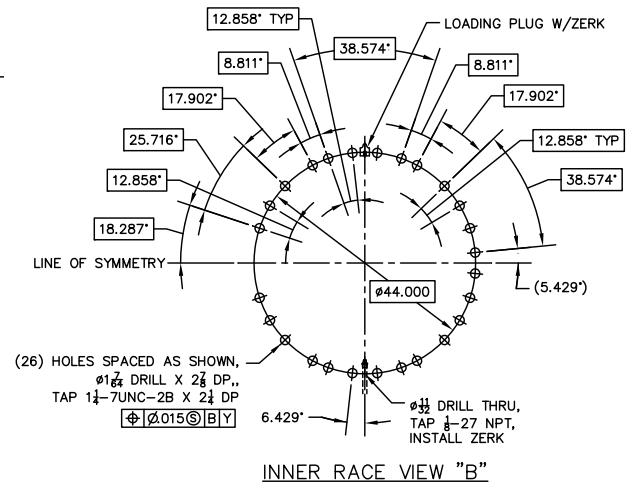
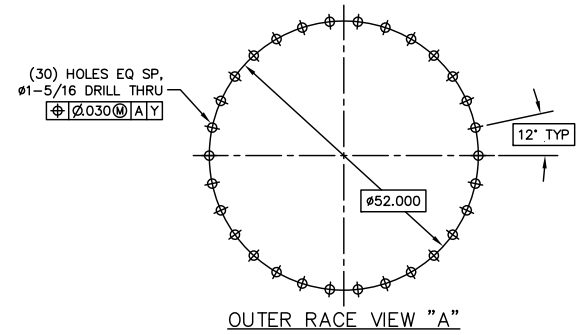
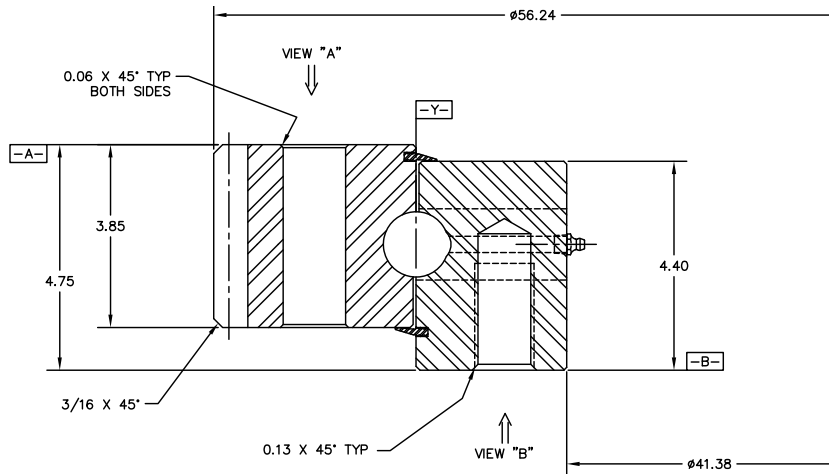
GEAR DATA			
3 (STUB)	D.P.	.2667	ADDENDUM
126	# TEETH	.3333	DEDENDUM
42.333	P.D.	-.109/-100	BACKLASH
20	P.A.	262/302 Bhn	HARDNESS
SPAN 14.959/14.951 OVER 15 TEETH			

SRB-E39.3-1.75-136T3S



GEAR DATA			
3	STUB	D.P.	.2667
136	# TEETH	.3333	ADDENDUM
45.333	P.D.	0.016/0.024	DEDENDUM
20°	P.A.	262/302 Bhn	BACKLASH
			HARDNESS
SPAN 15.872/15.864 OVER 16 TEETH			

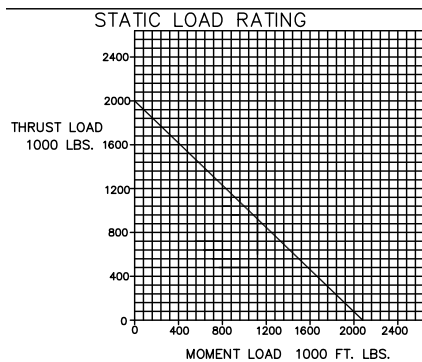
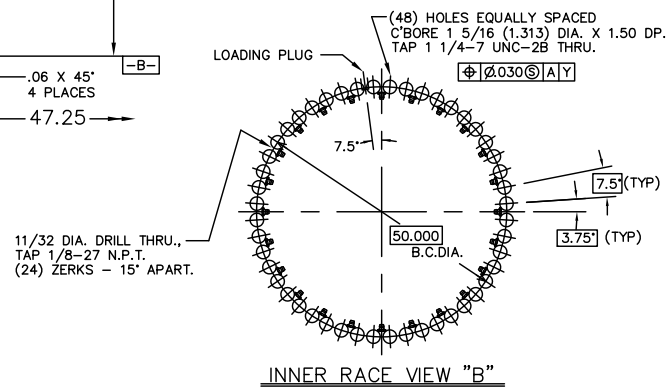
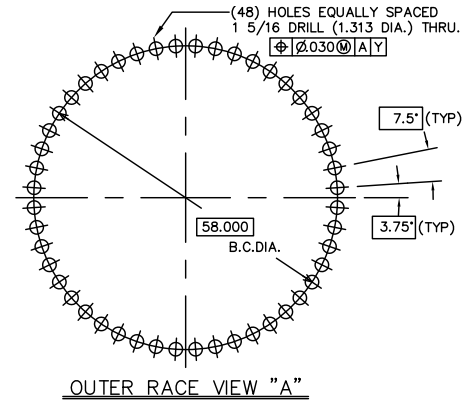
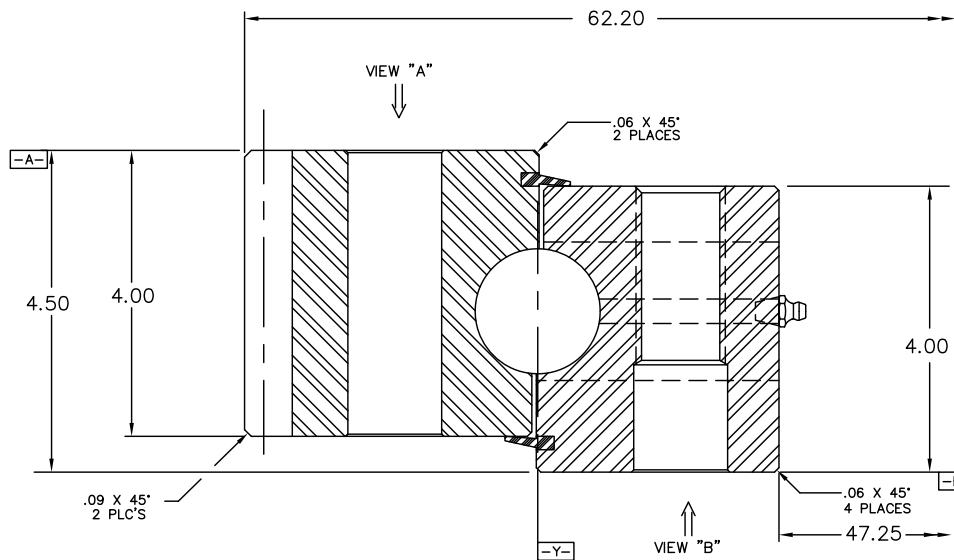
SRB-E47.7-1.38-139T2.5S



OR

GEAR DATA			
2.5 STUB	DP	0.320	ADDENDUM
139	# TEETH	0.400	DEDENDUM
55.600	P.D.	0.017/0.026	BACKLASH
20°	P.A.	262/302 Bhn	HARDNESS
MEASURE 19.066/19.057 OVER 16 TEETH			

SRB-E54.0-1.75-185T3S



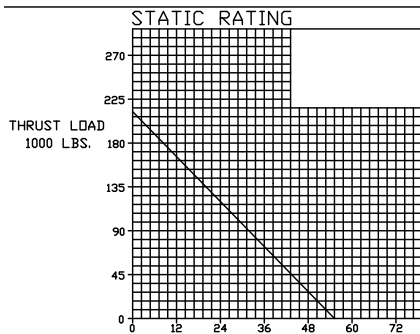
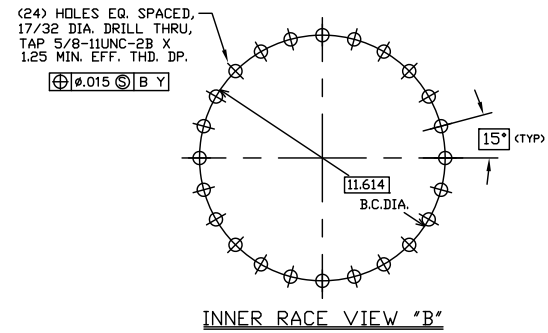
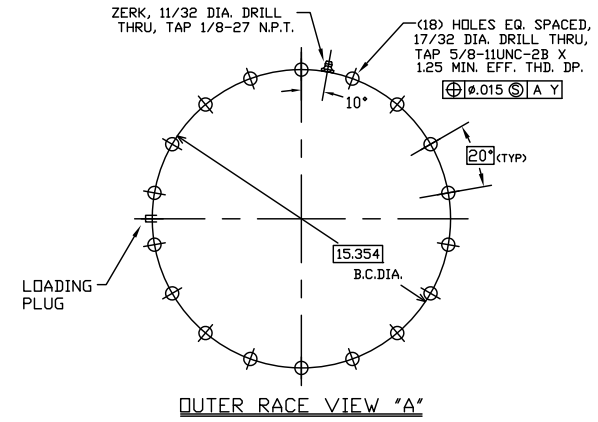
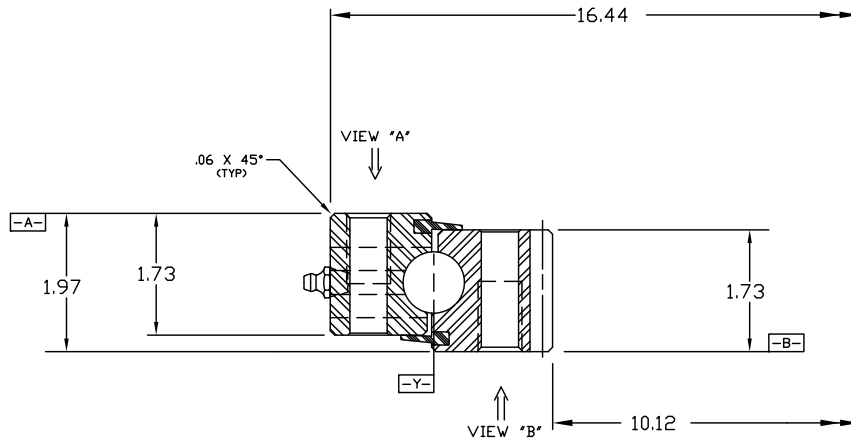
NOTE :

- LOADING POINTS ON OR BELOW THE LINE ARE WITHIN THE RATING.
- RADIAL LOADS OF LESS THAN 8% OF THE THRUST LOADING CAN BE IGNORED.

GEAR DATA			
3 STUB	D.P.	.2667	ADDENDUM
185	# TEETH	.3333	DEDENDUM
61.6667	P.D.	.016/.020	BACKLASH
20	P.A.	32/37 Rc	HARDNESS
SPAN OVER 20 TEETH = 20.033/20.029			

INTERNAL GEAR TEETH

SRB-I13.5-0.88-052T5/7



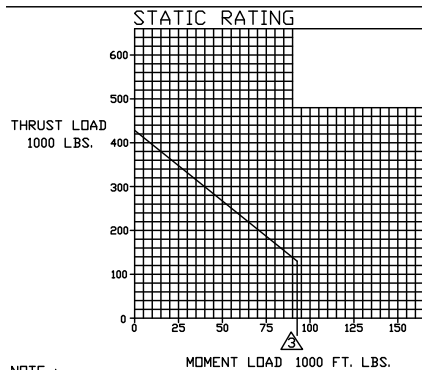
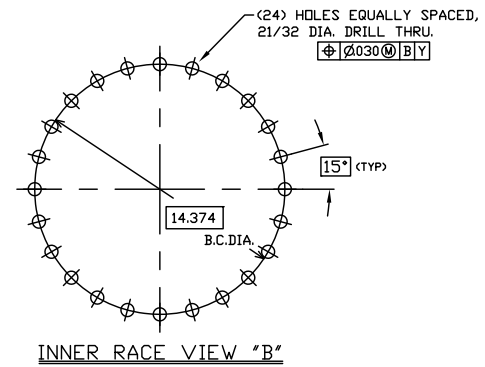
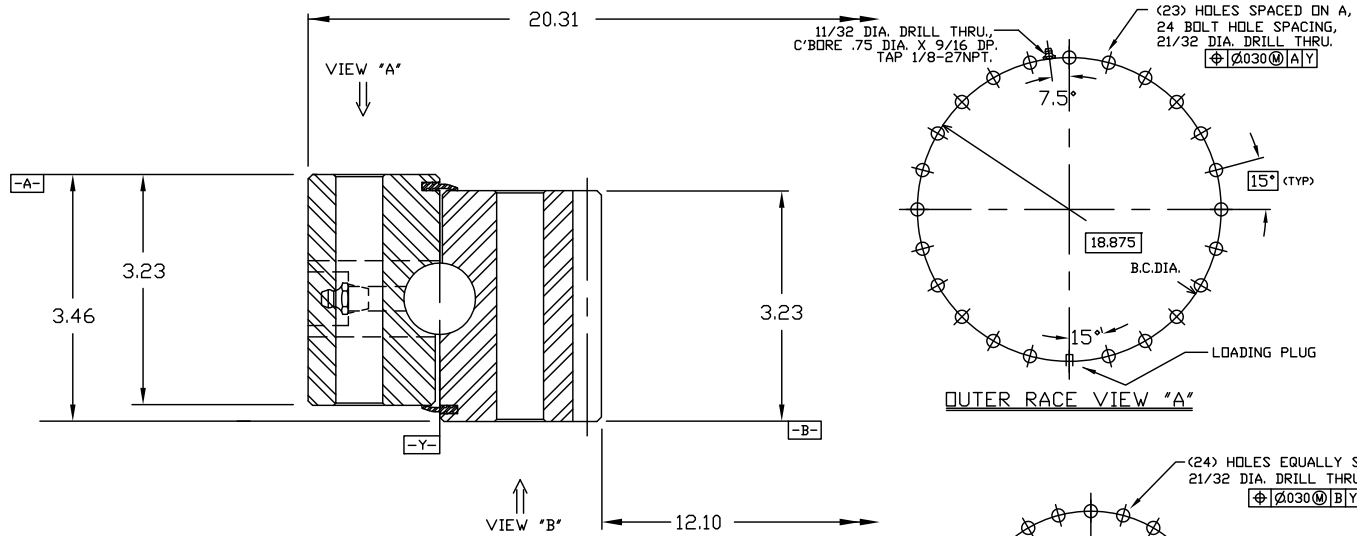
NOTE:

1) LOADING POINTS ON OR BELOW THE LINE ARE WITHIN THE RATING.

2) RADIAL LOADS OF LESS THAN 5% OF THE THRUST LOADING CAN BE IGNORED.

GEAR DATA			
5/7	D.P.	.1428	ADDENDUM
52	# TEETH	.1786	DEDENDUM
10.400	P.D.	.001/-001	BACKLASH
20	P.A.	262-302 Bhn	HARDNESS
MEASURE 10.136/10.130 BETWEEN .288 PINS.			

SRB-I16.6-1.00-050T4/5



NOTE :

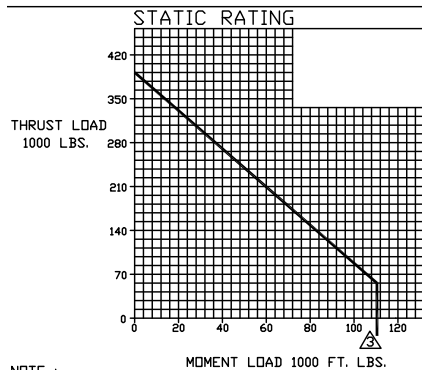
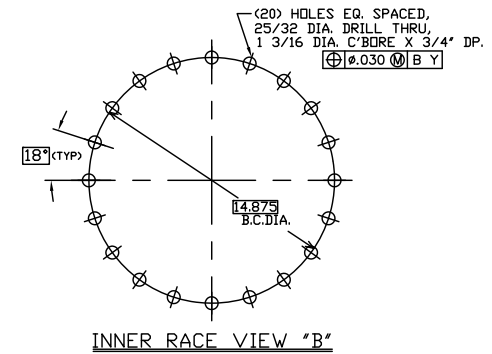
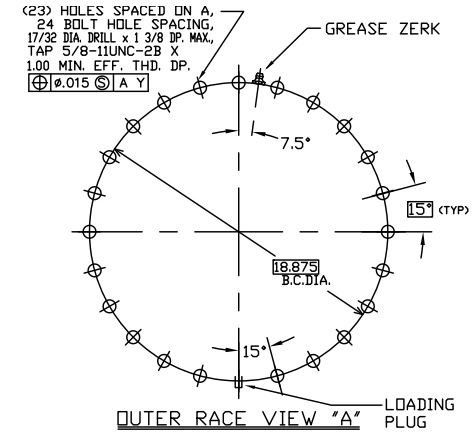
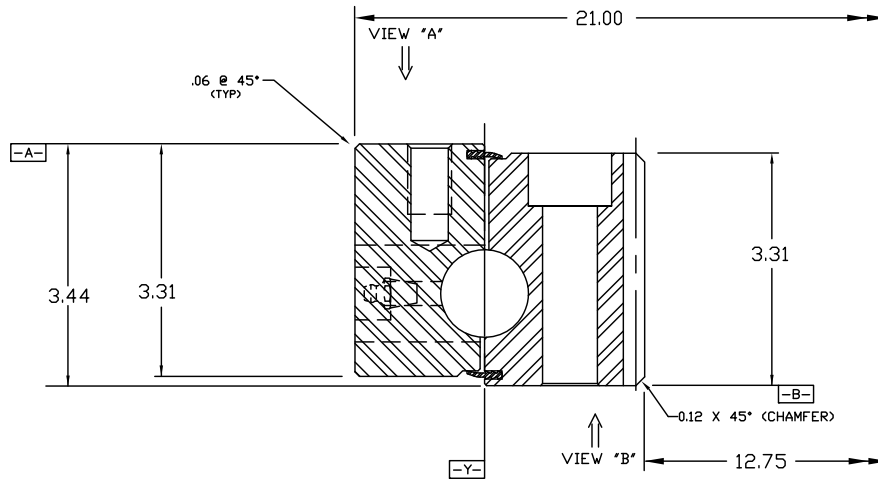
1) LOADING POINTS ON OR BELOW THE LINE ARE WITHIN THE RATING.

2) RADIAL LOADS OF LESS THAN 5% OF THE THRUST LOADING CAN BE IGNORED.

GEAR DATA			
4/5	D.P.	1.2000	ADDENDUM
50	# TEETH	1.2500	DEDENDUM
12.500	P.D.	.006/.010	BACKLASH
20	P.A.	262/302 Bhn	HARDNESS

MEASURE 12.193/12.182 BETWEEN .360 PINS

SRB-I17.3-1.25-065T5/7



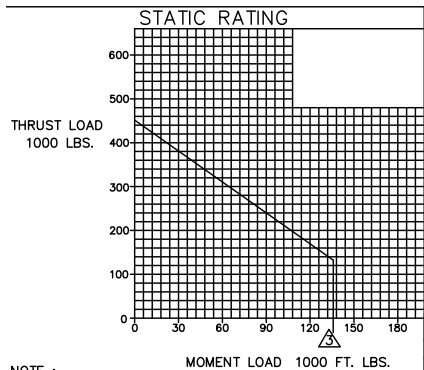
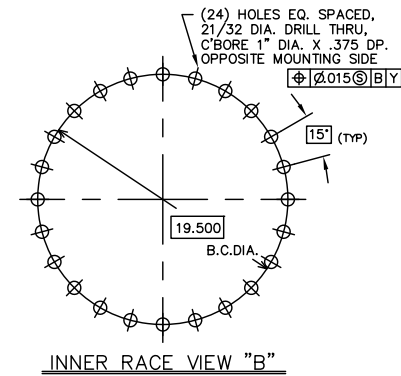
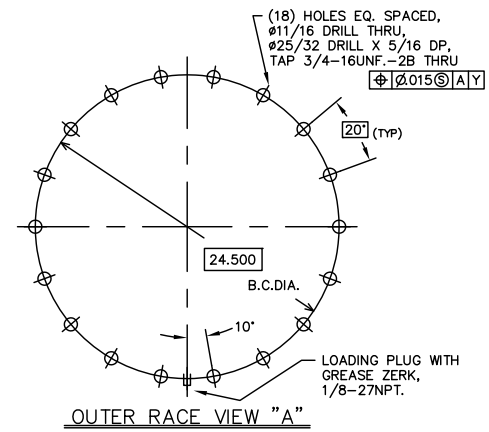
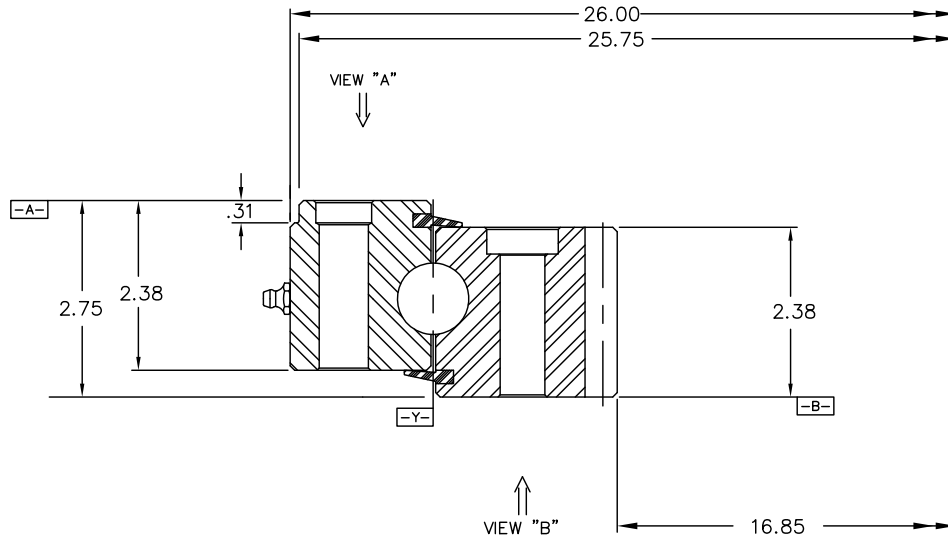
NOTE:
 1) LOADING POINTS ON OR BELOW THE LINE ARE WITHIN THE RATING.
 2) RADIAL LOADS OF LESS THAN 5% OF THE THRUST LOADING CAN BE IGNORED.

GEAR DATA			
5/7	D.P.	.125	ADDENDUM
65	# TEETH	.1786	DEDENDUM
13.000	P.D.	.007/.011	BACKLASH
20	P.A.	262/302 BHN	HARDNESS

MEASURE 12.748/12.759 BETWEEN .288 PINS

R

SRB-I22.0-1.00-069T4/5

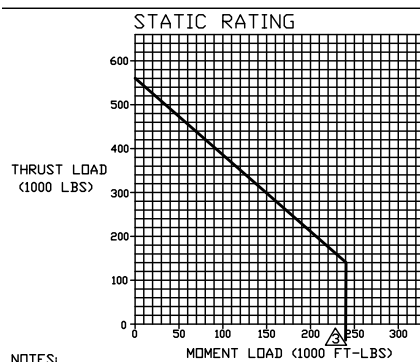
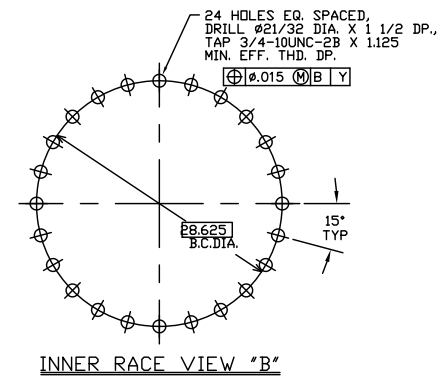
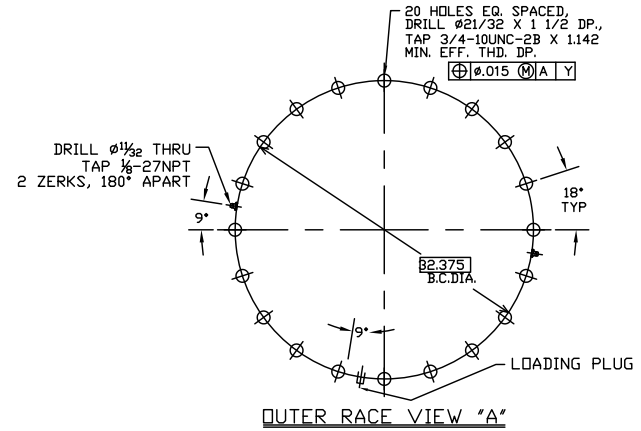
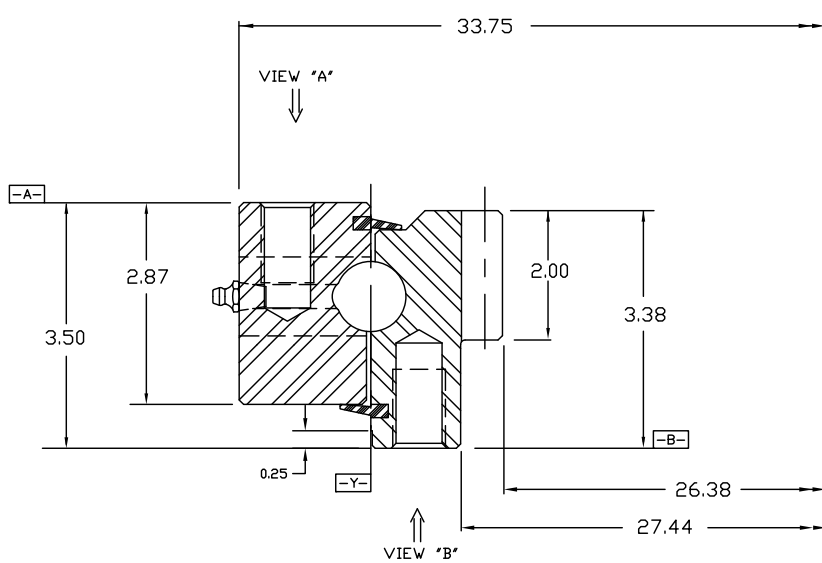


NOTE :

- 1) LOADING POINTS ON OR BELOW THE LINE ARE WITHIN THE RATING.
- 2) RADIAL LOADS OF LESS THAN 5% OF THE THRUST LOADING CAN BE IGNORED.

GEAR DATA			
4 INV STUB	D.P.	.2000	ADDENDUM
69	# TEETH	.2500	DEDENDUM
17.250	P.D.	.014/.022	BACKLASH
20	P.A.	262/302 Bhn	HARDNESS
MEASURE 16.735/16.713 BETWEEN .420 PINS			

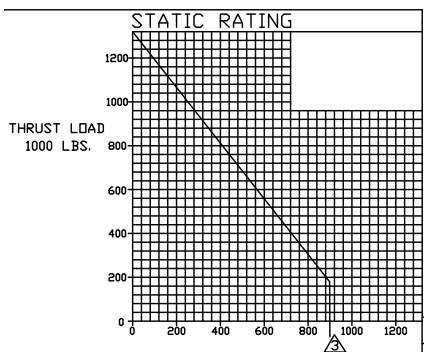
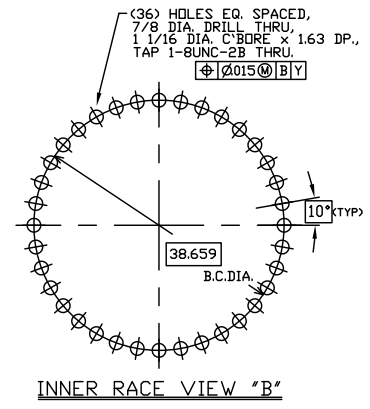
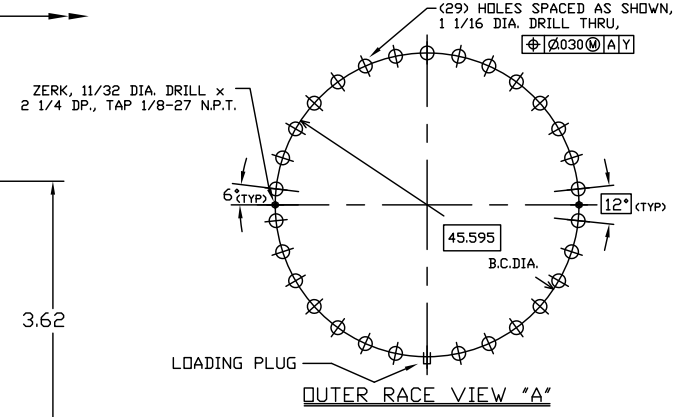
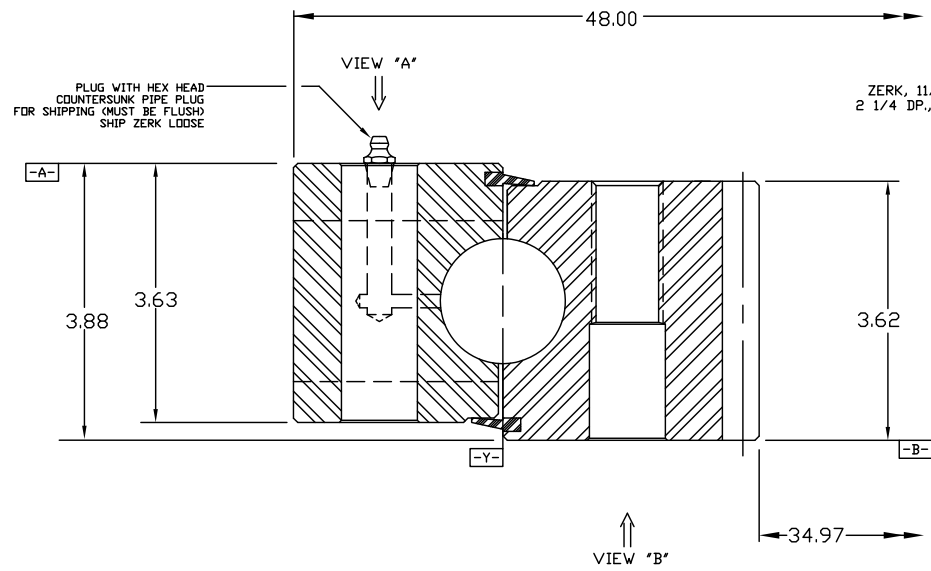
SRB-I30.0-1.00-107T4/5



NOTES:
1. LOADING POINTS ON OR BELOW THE LINE ARE WITHIN THE RATING.
2. RADIAL LOADS OF LESS THAN 5% OF THE THRUST LOADING MAY BE IGNORED.

GEAR DATA			
4/5	D.P.	1.186	ADDENDUM
107	# TEETH	264	DEDENDUM
26.750	P.D.	.010/.018	BACKLASH
20	P.A.	262/302 Bhn	HARDNESS
MEASURE 26.200/26.220 BETWEEN .420Ø PINS			

SRB-I42.1-1.75-124T3.5S



NOTE:

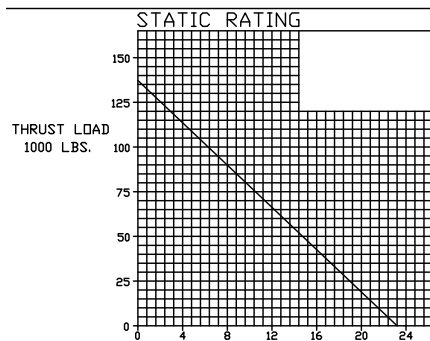
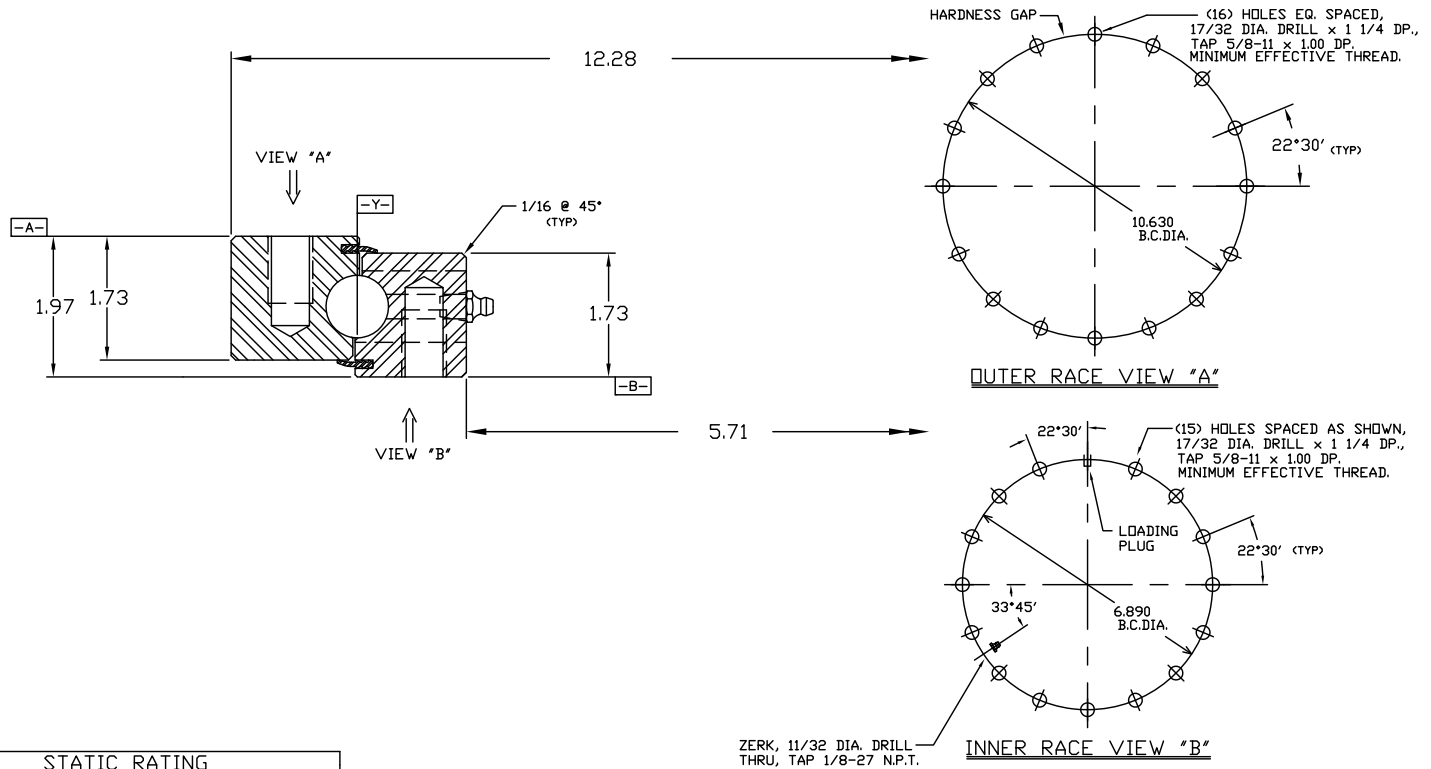
1) LOADING POINTS ON OR BELOW THE LINE ARE WITHIN THE RATING.

2) RADIAL LOADS OF LESS THAN 5% OF THE THRUST LOADING CAN BE IGNORED.

GEAR DATA			
3.5 STUB	D.P.	.2286	ADDENDUM
124	# TEETH	.286	DEDENDUM
35.428	P.D.	.008/.011	BACKLASH
20	P.A.	262/302 Bhn	HARDNESS

MEASURE 34.797/34.806 BETWEEN .480 PINS

NO GEAR TEETH

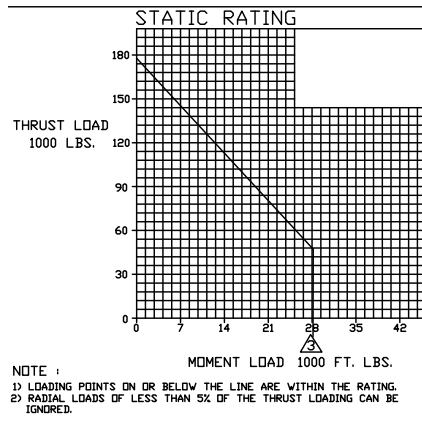
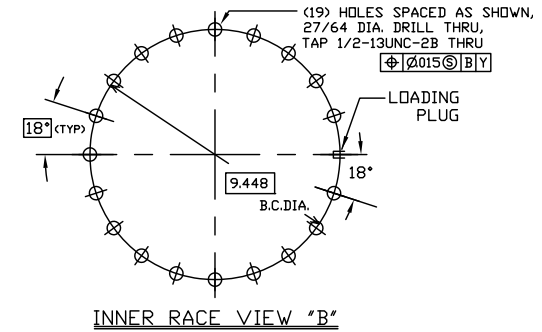
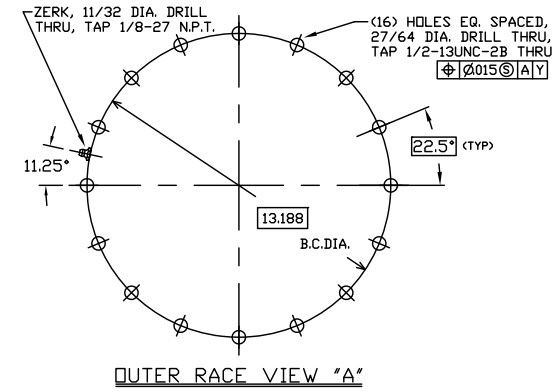
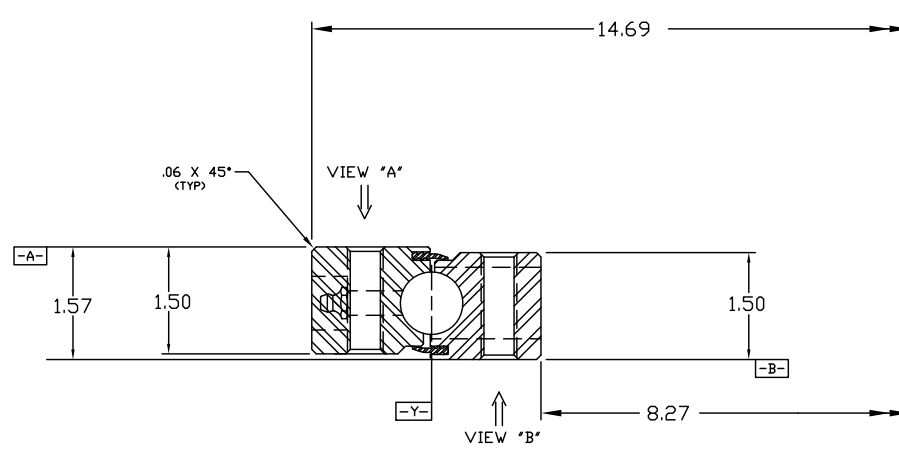


NOTE :

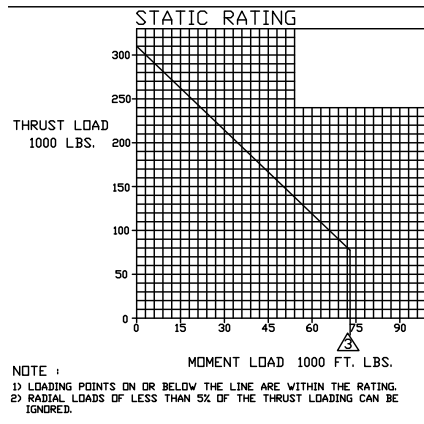
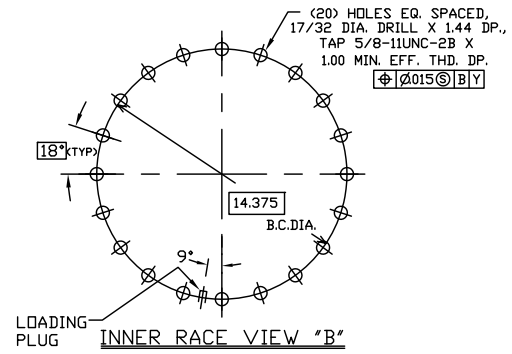
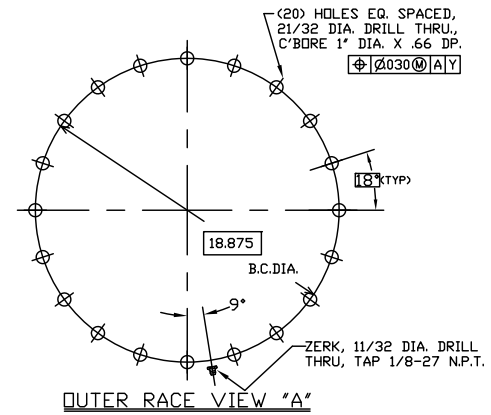
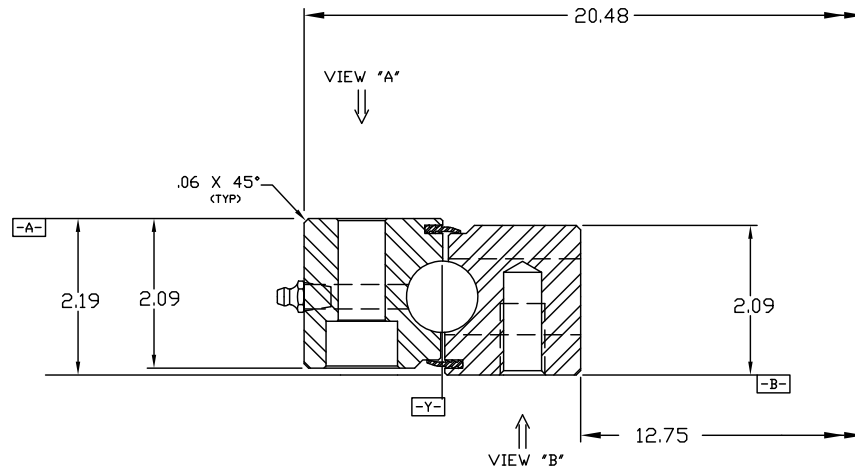
1) LOADING POINTS ON OR BELOW THE LINE ARE WITHIN THE RATING.

2) RADIAL LOADS OF LESS THAN 5% OF THE THRUST LOADING CAN BE IGNORED.

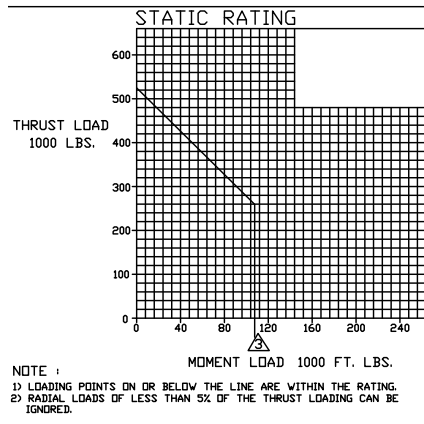
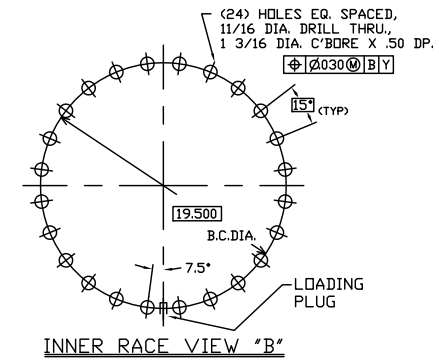
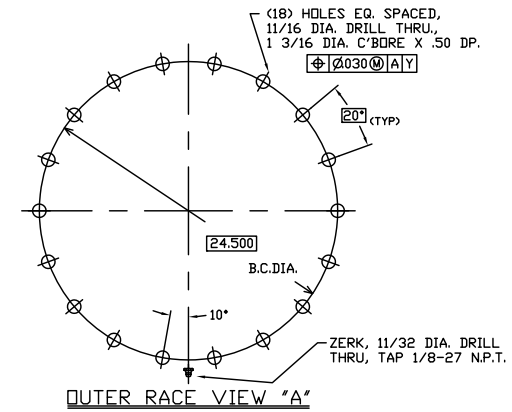
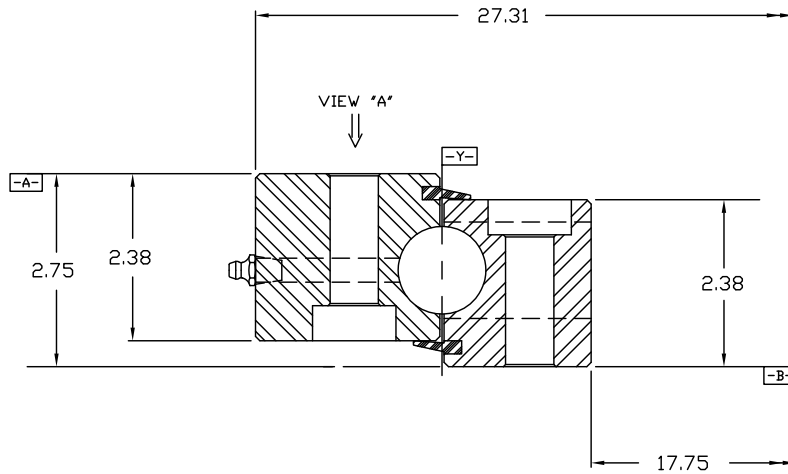
SRB-N11.3-0.88



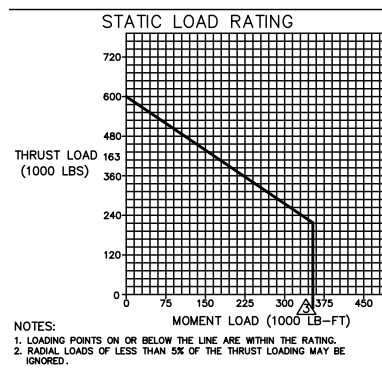
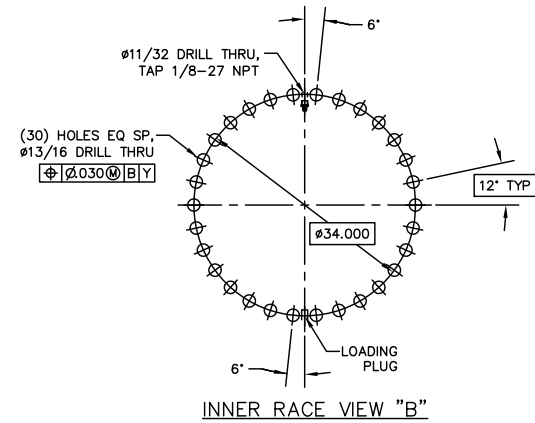
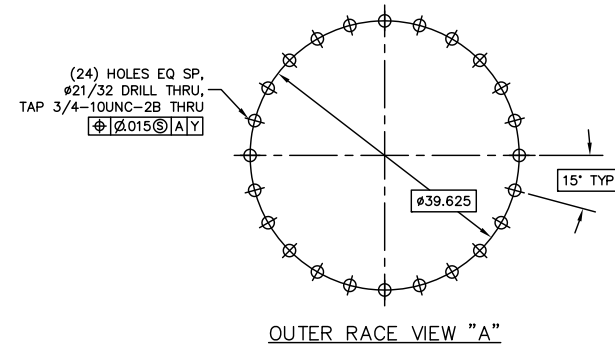
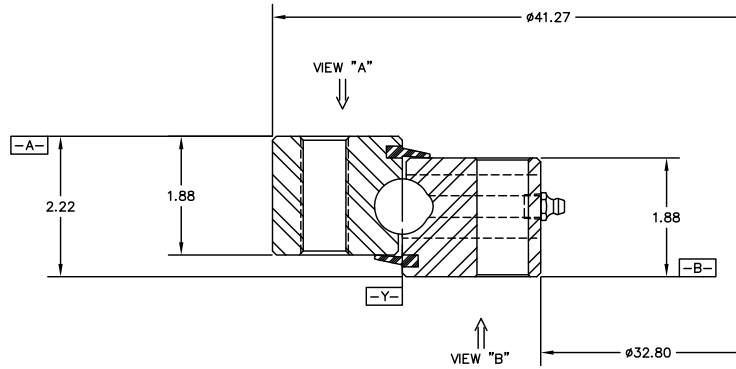
SRB-N16.6-1.00



SRB-N22.0-1.25



SRB-N37.2-0.88



SRB-N38.5-1.50

