

GREER INSIGHT™

**A Lightweight
in Size.**

**A Heavyweight
in Capability.**

The Greer Insight™ is the industry's only monitoring display designed for boom trucks, that offers the feature-rich capabilities and high-resolution VGA graphics to help operators work safer and smarter.

The Insight offers multiple screens with a simple, intuitive display design and customizable configurability for quick start-up and easy use. Operators enjoy an 8-button display to map for applications, and fingertip access to work area definition (WAD), crane configuration, diagnostics, gauge readings, and other critical data from crane sensors. The entire display is IP67 waterproof, making it ideal for year-round use even in harsh environments.

But perhaps the most impressive capabilities are the Insight's language and units of measure. Now, operators can choose from a multiple language menu, and even switch between Imperial or Metric units. The Greer Insight is small, compact and powerful.



Infrastructure | Energy | Recovery

www.team-twg.com

TWG is a global leader in standard and engineered winch, gearbox and electronic monitoring systems.

USA – DP Winch, Gear Products, Greer and Tulsa Winch:
Canada – LANTEC, Pullmaster:
Latin America:
Europe:

sales@team-twg.com
sales@team-twg.ca
sales-BR@team-twg.com
salesEU@team-twg.com

TWG Headquarters
11135 S. James Ave.
Jenks OK 74037-1731 USA
Phone: +1-918-298-8300

dp Winch | Gear Products | Greer Company | LANTEC | Pullmaster | Tulsa Winch

GREER INSIGHT™

Intuitive Functionality.

The Insight's learning curve is so low any experienced operator will be up to speed in minutes.



Introducing the new Greer Insight



Legacy MG586

Easy to retrofit

The Insight is just one value-added component in the Greer family of rated-capacity indicator systems.

Greer's rated-capacity indicator systems feature our exclusive FastCal technology to deliver the industry's fastest calibration time. Now, Greer RCIs automatically transmit rated capacity, actual load, percent of rated capacity, load radius, boom angle, boom length and crane configuration data to our new Insight monitoring display.

For more information about the Greer Insight and other electronic monitoring components, please contact a TWG sales representative.

Advanced Features and Superior Benefits

- VGA graphics display system for sharper, clearer images
- Attractive 4.4" screen
- Intuitive design for quick start-up and easy use
- Multiple screens to view WAD, crane configuration, diagnostics, gauge readings and other sensor data
- Customizable configuration with minimal keystrokes
- Multiple language menu with ability to add and display additional languages
- Imperial and Metric units
- CANJ1939 and CANOpen enabled
- Ram-mount or in-dash capable
- Visual and audible alarms
- Optically bonded for optimal outdoor viewing
- Entire display is IP67 waterproof

As a leader in product innovation, TWG is committed to the ongoing improvement of its equipment. TWG reserves the right to make changes to our products without notice.

11135 S. James Ave.
Jenks, OK 74037-1731 USA
Phone: +1-918-298-8300
www.team-twg.com



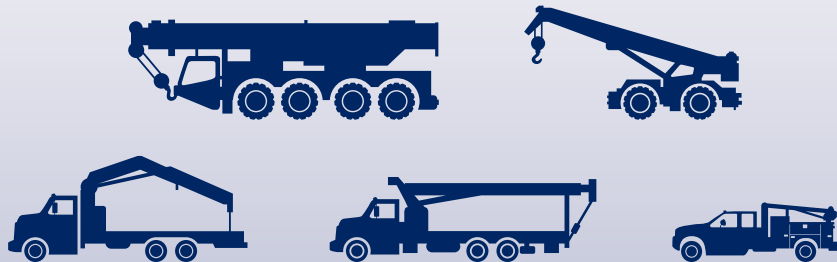
POWER to Move the World™

A DOVER COMPANY



Advanced Features and Superior Benefits

- VGA graphics display system for sharper, clearer images
- Attractive 4.4" screen
- Intuitive design for quick start-up and easy use
- Multiple screens to view WAD, crane configuration, diagnostics, gauge readings and other sensor data
- Customizable configuration with minimal keystrokes
- Multiple language menu with ability to add and display additional languages
- Imperial and Metric units
- CANJ1939 and CANOpen enabled
- Ram-mount or in-dash capable
- Visual and audible alarms
- Optically bonded for optimal outdoor viewing
- Entire display is IP67 waterproof





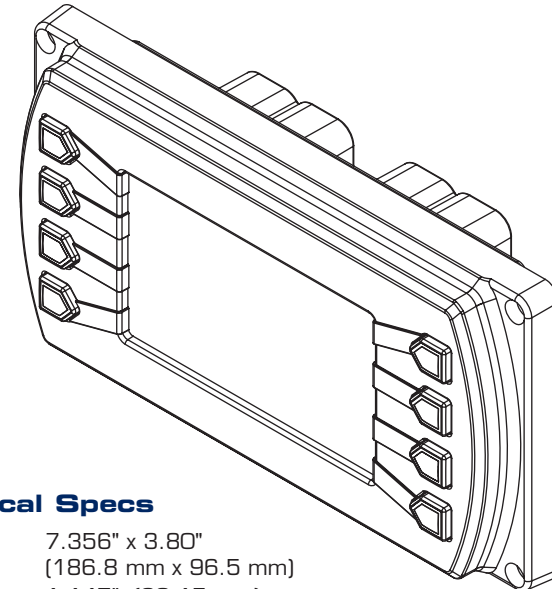
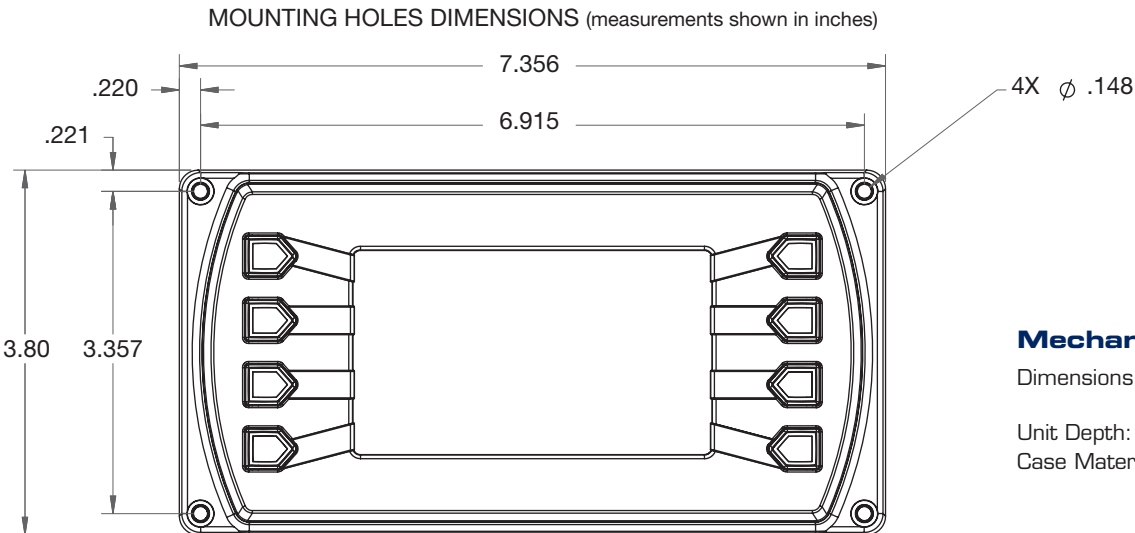
Greer Insight™ Rated Capacity Indicator

Technical Specs

Display: Bonded 4.3"/109 mm color
Resolution: WQVGA, 480 x 272 pixels, 16-bit color
Aspect Ratio: 16:9
Orientation: Landscape or portrait
Backlighting: LED, 500-650 cd/m² (30,000 hr lifetime)
Operating Voltage: 6-32 VDC, protected against reverse polarity and load-dump
Power Consumption: 10W max
CAN: 2 CAN ports, CAN 2.0B
Video Input: Optional
Protocols: J1939, CANOpen
Connection: 4 Deutsch DT 6-pin connectors
Keyboard: 8 tactile buttons
Output: (1) capable of syncing 500mA – programmed to control audio alarm
USB 2.0 host
Real-time clock with battery backup

Environmental Specs

Operating Temperature: -40° C to +85° C
Storage Temperature: -40° C to +85° C
Protection: IP 66 and 67, front and back
Emissions and Immunity: Electromagnetic compatibility: 2004/108/EC
EN 610006-4
EN 610006-2 (immunity)
EN 501121-3-2
EN 12895
J1113/2, 4, 11, 12, 21, 24, 26 and 41
Vibration: Random vibration, 7.86 Grms (5-2000 Hz), 3 axis
Shock: ± 50G in 3 axis



Mechanical Specs

Dimensions: 7.356" x 3.80"
(186.8 mm x 96.5 mm)
Unit Depth: 1.147" (29.15 mm)
Case Material: Polycarbonate back case

Contact a TWG sales representative about other available configurations.

As a leader in product innovation, TWG is committed to the ongoing improvement of its equipment. TWG reserves the right to make changes to our products without notice.

Tulsa Winch is part of TWG, a global leader in standard and engineered winch, gearbox and electronic monitoring systems.

PO Box 1130
Jenks OK 74037-1130 USA
Phone: +1-918-298-8300
www.team-twg.com

